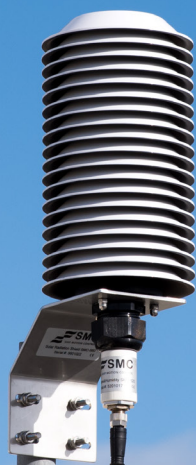


SMC-560

Solar Radiation Shield



The SMC SMC-560 is a natural ventilated Solar Radiation Shield that provides excellent protection for solar radiation and precipitation. The solar radiation shield is designed for outdoor installations of temperature and humidity sensors.

Function

The SMC-560 Solar Radiation Shield protects temperature and humidity sensors from direct sunlight and precipitation. The SMC solar radiation shield is naturally ventilated.

Environmental

The SMC-560 are produced out of 19 UV resistant ABS plastic plates. The plates are painted black on the inside to reduce reflective radiation. The shield is delivered with a pole mounting bracket in stainless steel 316L for poles with diameter 30-60mm and a fixation gland for mounting the probe with an outer diameter of 18-25mm.

Key Features

- Protection from solar radiation and precipitation
- Pole mount bracket included
- Works with SMC-520 Temperature/Humidity probe
- Maintenance free

About SMC

SMC is an ISO9001:2015 quality management certified company, manufacturing weather instruments, motion sensors and system integration software packages, such as Helideck Monitoring and Motion Monitoring systems, for the global marine industry.



Specification SMC-560

Specification

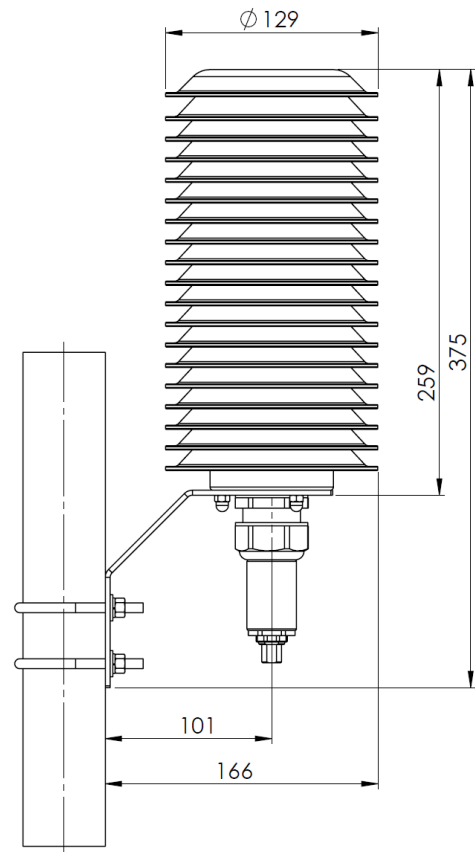
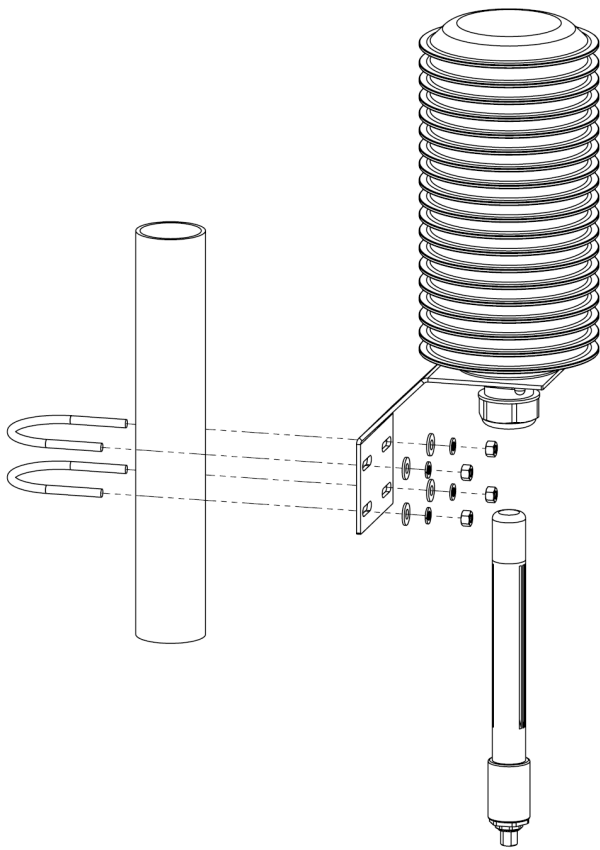
Plate Material UV resistant ABS plastic, 19 plates
Dimensions (H x D x W) 375 x 190 x 129mm
Weight 1.0 kg
Mounting bracket in 316L Stainless steel
Delivered with 2x U-Bolts for clamping a pole with diameter of 30-60mm

Environmental

Operating Temperature -40° to +60° Celsius

Warranty & Support

2-year Limited Hardware & Software Warranty
Free Technical & Hardware support



Dimensions in mm

